

Fire Door Closing Systems



We take the worry out of
protecting what's valuable to you.
Lockwood: *no worries*[®]

LOCKWOOD

ASSA ABLOY

25YEAR

**MECHANICAL
WARRANTY**

www.lockweb.com.au

Contents



2516EMC Series Electromechanical

Hold-Open Device Single Doors
page 4



2516CO Mechanical

Coordinator for Double
Doors
page 6



2516EMC Series Electromechanical

Hold-Open Device Double Doors
page 8



Concealed Electromechanical

Fire Door Closers
page 11



FD480 Electromechanical

Hold-Open Device Single
Doors
page 13



FD481 Mechanical

Coordinator Double Doors
page 15



FD484 Double Doors with Coordinator Electromechanical

Hold-Open device
page 17

Overview

It is vital for fire doors to close in the event of fire. The fire door must close and latch automatically in order to limit the spread of fire into other parts of the building. During daytime the normal use of a fire door may require the doors to remain open.

Lockwood fire door closing systems featuring efficient 'cam action' technology guarantees easy access and convenience for use in normal situations as well as maximum safety in the event of fire. Lockwood fire door closing systems are composed of reliable and compatible components that enable building up a safe, individual solution for each application.

Major Features

Design

Compact modern design to suit both single and double door installations.

Flexibility In Installation

- Easy to install on narrow frames (40mm)
- One unit suits both push side or pull side

Door Sizes

- Single door applications minimum 350mm, maximum 1400mm
- Double door applications minimum 1250mm, maximum 2800mm

Offset To Door Stop

- Pull side - maximum 18mm
- Push side - maximum 30mm

Hold-Open Device

- Easy to install with adjustable angles (70° to 130°)
- Hold-open strength can be adjusted during the installation

Opening Angles

Maximum opening angle

- Push side, 120°
- Pull side, 130°

Electrical Specifications

24VDV ± 15%. Low consumption:
max current 60mA per hold-open device



The Lockwood Electromechanical Door Control System has been successfully fire tested on fire door assemblies in accordance with Australian Standard AS1905.1:2005 - Part 1: Fire Resistant Doorsets.



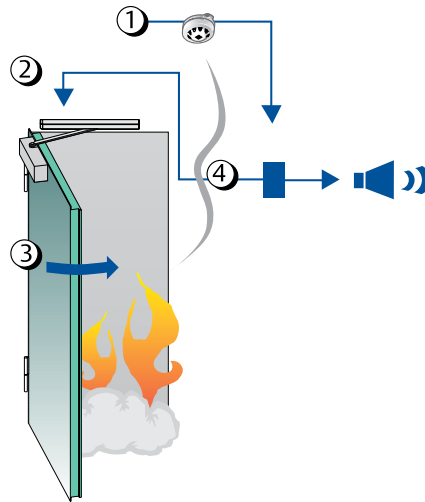
Lockwood Fire Door Closers conform to the requirements of AS1428 Clause 13.5.3 (e) Design for Access and Mobility.

Fire Door Closing System

An example of the operation and main components of a fire door closing system.

If fire doors are held open they must close at the outbreak of fire so that smoke and flames can be retained and not spread throughout the building.

The smoke detector (1) reacts to smoke and activates the alarm to switch off the hold-open device of the door (2). The door closer (3) controls the door to close and latch into the shut position. (4) Add optional release button clipsal 30 MBP and mounting plate.



Closer Selection Chart

Recommended Door Width	Door Weight (kg) Max	Closer PowerSize	ClosingTorque (Nm)
750	20	1	9 - <13
850	40	2	13 - <18
950	60	3	18 - <26
1100	80	4	26 - <37
1250	100	5	37 - <54
1400	120	6	54 - <87

Door Closer in this series are power adjustable size 2-6.

2516EMC Series Electromechanical Hold-Open Device Single Doors



Description

The Lockwood 2516EMC is a small single door electromechanical hold open device system with a sliding arm. It is applicable for places, where fire doors are constantly kept open. The door is kept open at a selected angle. If fire breaks out, the door is closed, preventing smoke and flames from spreading. Applications for 2516EMC include hotels, office buildings and other fire doors where hold open function is needed.

Single Door Function

The door is held open by hold-open device at the selected angle. When the power is switched off, e.g. when smoke detectors react to smoke, the door closes. Hold-open angle for active door can be adjusted from 70° to 130°. Power consumption 1 x 60 mA (24vdc).

Product Details

Design	Compact modern design to suit single door installations.
Door Sizes	Maximum door width 1400mm
Flexibility in Installation	<ul style="list-style-type: none">• Easy to install on narrow frames (40mm)• One unit suits both push side or pull side• For Push side applications add FD2516-116SIL angle bracket
Opening Angles	Maximum opening angle 130°

Standards and Compliance

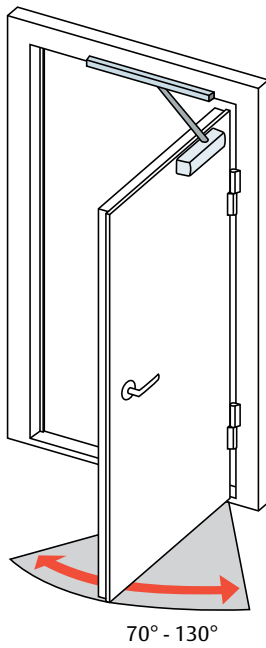


The Lockwood 2516EMC Door Control System has been successfully fire tested up to 4 hours on fire door assemblies in accordance with Australian Standard AS1905.1:2005 - Part 1: Fire Resistant Doorsets.

2516EMC Series Electromechanical Hold-Open Device Single Doors

2516EMC Series Electromechanical Hold-Open Device Single Doors

Part Numbers	Finishes
2516EMCSSS	Satin Stainless Steel
2516EMCSIL	Silver



2516CO Mechanical Coordinator for Double Doors



Description

The Lockwood 2516CO is a stylish and small mechanical coordinator for double doors. The 2516CO is useful in applications where doors are normally kept closed. The coordinator is integrated inside the covered sliding rails which protects the coordinator from abuse.

The Lockwood 2516CO is suitable for double doors with hinge distance 1250-2800 mm and maximum door leaf weight of 120 kg. CE certified according to EN1155 and EN1158. Ideal for use in a wide range of double door applications including office entrance halls and commercial buildings.

Double Door Function

The mechanical coordinator keeps the active door open when inactive door is open. Active door starts to close when the inactive door is almost closed. After the active door is closed it latches the inactive door.

Product Details

Design	Compact modern design to suit double door installations.
Door Sizes	Double door applications minimum 1250mm, maximum 2800mm
Flexibility in Installation	<ul style="list-style-type: none">• Easy to install on narrow frames (40mm)• One unit suits both push side or pull side• Push side application add 1 x FD2516-117SIL angle bracket 2 x FD2516-116SIL angle brackets
Opening Angles	Maximum opening angle 130°

Standards and Compliance

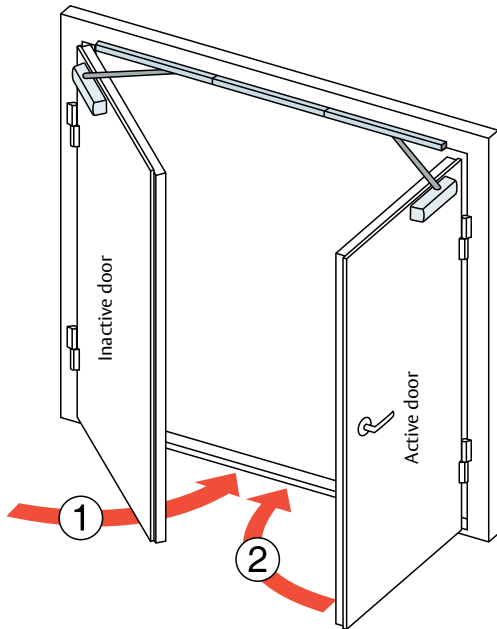


The Lockwood 2516CO Door Control System has been successfully fire tested up to 4 hours on fire door assemblies in accordance with Australian Standard AS1905.1:2005 - Part 1: Fire Resistant Doorsets.

2516CO Mechanical Coordinator for Double Doors

2516 Mechanical Coordinator for Double Doors

Part Numbers	Finishes
2516COSSS	Satin Stainless Steel
2516COSIL	Silver
FD2516-114	Hold Open Device for inactive leaf (not to be used on fire doors)



2516MC Series Electromechanical Hold-Open Device Double Doors



Description

The Lockwood 2516EMCD is a small, aesthetic fire door closing system with a sliding arm, one hold open device and the built-in coordinator for double doors. The applications for the 2516EMCD include hotels and hospital corridors, where both door leaves are usually kept open.

The Lockwood 2516EMCD is designed for double doors with hinge distance 1250-2800 mm and maximum door leaf weight 120 kg. CE certified according to EN1155 and EN1158.

Functions

In normal day use both doors are open. The hold open angle for inactive door can be adjusted 70-130 degrees. The hold open device keeps the inactive door open whereas the coordinator keeps the active door open. The maximum hold angle for the active door is 130°. When the power is switched off, i.e. when the smoke detectors react to smoke, the inactive door closes first and when it is almost closed, the active door starts to close. Hold open device includes adjustable hold open force. Current consumption 60mA (24 VDC).

Product Details

Design	Compact modern design to suit both single and double door installations.
Door Sizes	Double door applications minimum 1250mm, maximum 2800mm
Flexibility in Installation	<ul style="list-style-type: none">• Easy to install on narrow frames (40mm)• One unit suits both push side or pull side• Push side application add 1 x FD2516-117SIL angle bracket 2 x FD2516-116SIL angle brackets
Opening Angles	Maximum opening angle 130° (Inactive door) Maximum opening angle 150° (Active door)

Standards and Compliance

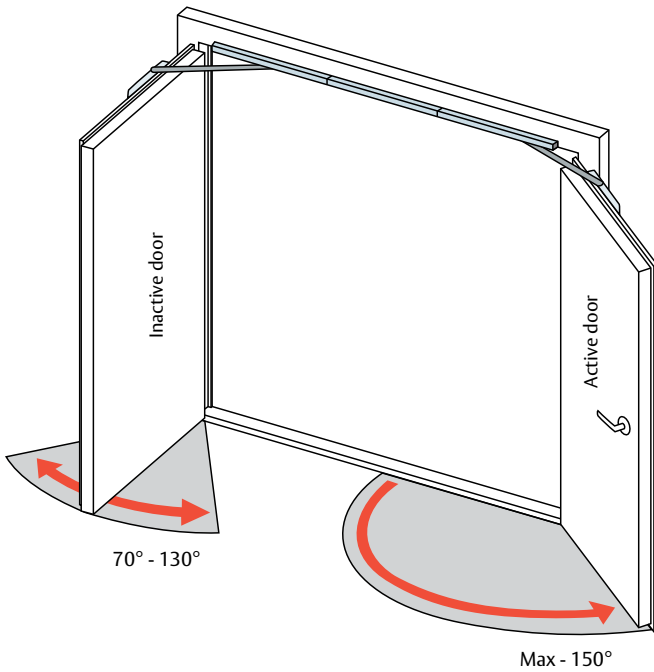


The Lockwood 2516EMCD Door Control System has been successfully fire tested up to 4 hours on fire door assemblies in accordance with Australian Standard AS1905.1:2005 - Part 1: Fire Resistant Doorsets.

2516MC Series Electromechanical Hold-Open Device Double Doors

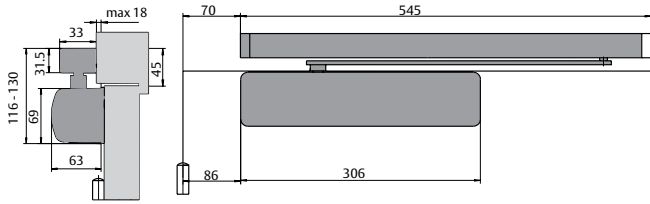
2516MC Series Electromechanical Hold-Open Device Double Doors

Part Numbers	Finishes
2516EMCDSSS	Satin Stainless Steel
2516EMCDSIL	Silver

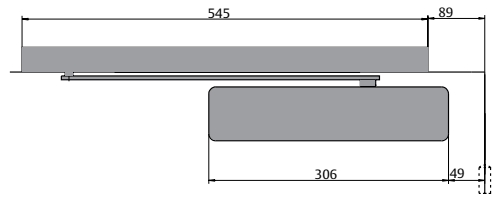


2516CO Mechanical Coordinator for Double Doors

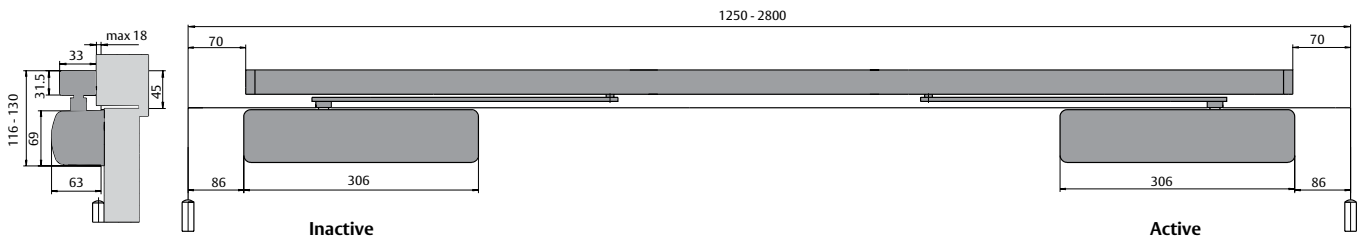
Opening Side - Single Door



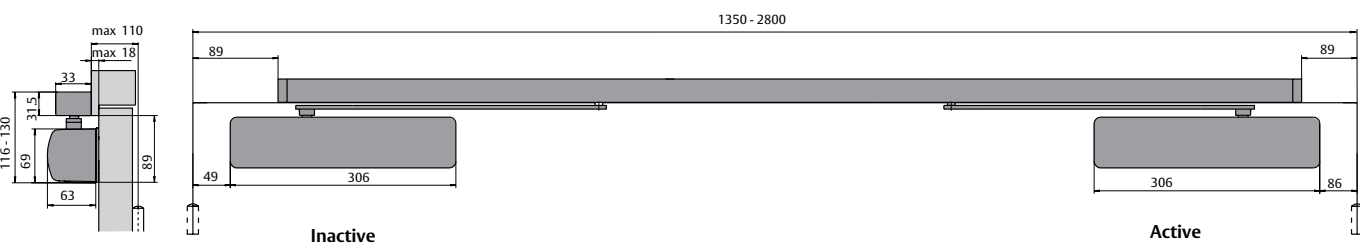
Closing Side - Single Door



Opening Side - Double Door

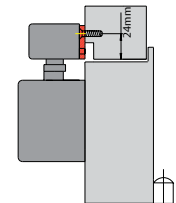
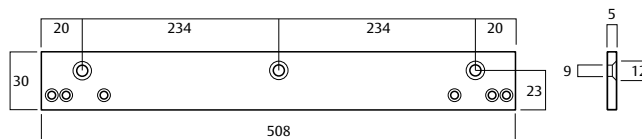
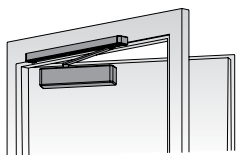


Closing Side - Double Door

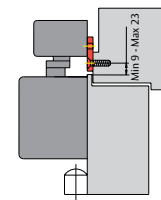
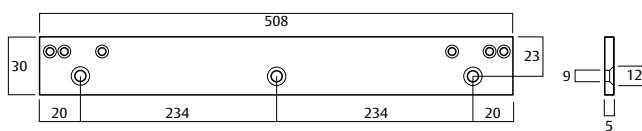
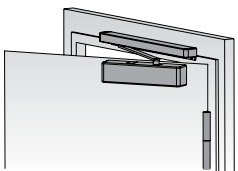


Accessories for Push side fixing

Flat mounting plate FD2516-103 for single doors (double doors X 2)



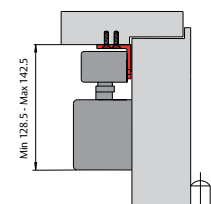
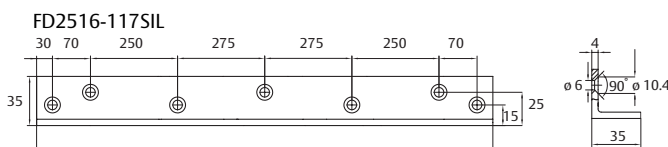
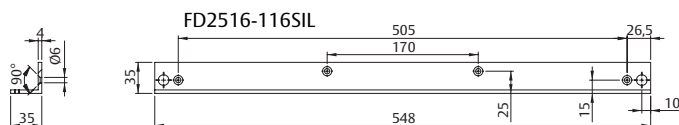
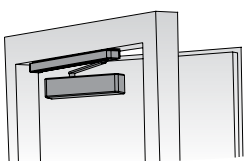
Flat mounting plate FD2516-103 for single doors (double doors X 2)



Angle mounting plates for push side installations.

Single doors FD2516-116SIL.

Double doors: 2 X 2516-116SIL plus centre piece 2516-117SIL.



Concealed Electromechanical Fire Door Closers



Description

The beauty of the Lockwood Concealed Door Closer Systems is that they stay virtually invisible when the door is closed, keeping your design pure and clean just as you intended. Featuring efficient 'cam action' technology, it has an in-built power adjustment mechanism which allows you to reduce opening force whilst maximising closing force, making it perfect for almost every new door design. When it's all about aesthetics, the Lockwood Concealed Door Closer Series is the best choice.

Lockwood fire door closing systems guarantee easy access and convenience as well as maximum safety in the event of fire. Lockwood fire door closing systems are composed of reliable and compatible components that enable building up a safe, individual solution for each application.

Function of fire door closing systems

The beauty of the Lockwood Concealed Door Closer Systems is that they stay virtually invisible when the door is closed, keeping your design pure and clean just as you intended. Featuring efficient 'cam action' technology, it has an in-built power adjustment mechanism which allows you to reduce opening force whilst maximising closing force, making it perfect for almost every new door design. When it's all about aesthetics, the Lockwood Concealed Door Closer Series is the best choice.

Lockwood fire door closing systems guarantee easy access and convenience as well as maximum safety in the event of fire. Lockwood fire door closing systems are composed of reliable and compatible components that enable building up a safe, individual solution for each application.

Standards and Compliance



The Lockwood Electromechanical Concealed Door Control System has been successfully fire tested up to 2 hours on fire door assemblies in accordance with Australian Standard AS1905.1:2005 - Part 1: Fire Resistant Doorsets.



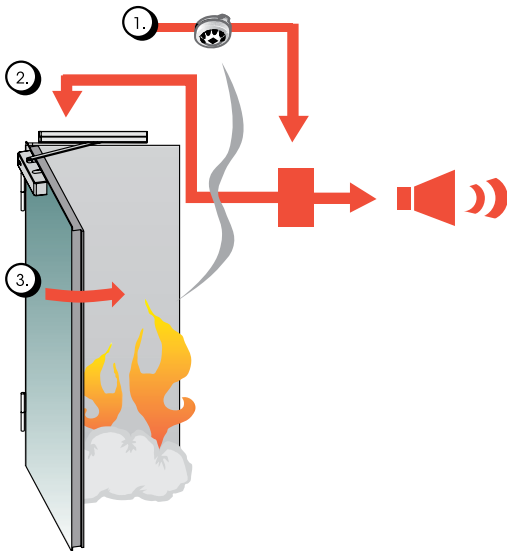
Lockwood Fire Door Closers conform to the requirements of AS1428 Clause 13.5.3 (e) Design for Access and Mobility.

Concealed Electromechanical Fire Door Closers

Power Sizes

Recommended Door Width	Door Weight (kg) Max	Closer PowerSize	ClosingTorque (Nm)
750	20	1	9 - <13
850	40	2	13 - <18
950	60	3	18 - <26
1100	80	4	26 - <37
1250	100	5	37 - <54

Door height should be a maximum of 2340mm



FD480 Electromechanical Hold-Open Device Single Doors



Description

The FD480 is suitable for applications where fire doors are constantly kept open. Applications for the FD480 include hotels, office buildings and fire doors where hold open function is needed. The maximum door width is 1400 mm.

Fire door is held open by the FD480 at the selected angle. When power is switched off, e.g. when smoke detectors react to smoke, the door closes. The hold open angle for the door can be adjusted from 70° to 120°. Hold-open device has adjustable hold-open function. Current consumption 60 mA (24 VDC).

Product Details

Design	Compact modern design to suit both single and double door installations.
Door Sizes	<ul style="list-style-type: none"> • Single door applications minimum 350mm, maximum 1100mm • Minimum door thickness 40mm
Electrical Specifications	24VDV ± 15%. Low consumption: max current 60mA per hold-open device
Flexibility in Installation	One unit suits both push side or pull side
Hold-Open Device	<ul style="list-style-type: none"> • Easy to install with adjustable angles (70° to 120°) • Hold-open strength can be adjusted during the installation
Opening Angles	Maximum opening angle 120°
Power Size	Adjustable EN 1 - 4

Standards and Compliance



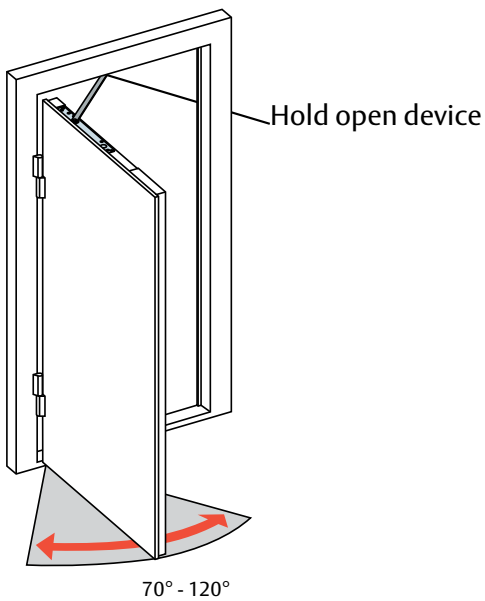
The Lockwood FD480 Concealed Door Control Systems has been successfully fire tested up to 2 hours on fire door assemblies in accordance with Australian Standard AS1905.1:2005 - Part 1: Fire Resistant Doorsets.

FD480 Electromechanical Hold-Open Device Single Doors

FD480 Electromechanical Hold-Open Device Single Doors

Part Numbers **Finishes**

FD480 Silver



FD481 Mechanical Coordinator Double Doors



Description

The FD481 is useful in applications where doors are normally kept closed and the active door is used as a passage door. The FD481 is designed for double doors with hinge distance up to 1350 - 2800 mm.

The FD481 mechanical coordinator keeps the active door open when inactive door is open.

The Active door starts to close when the inactive door is almost closed. After the active door is closed it latches the inactive door.

Product Details

Design	Compact modern design to suit double door installations.
Door Sizes	<ul style="list-style-type: none">• Double door applications minimum 1100mm, maximum 2100mm• Non fire rated model available on application suits double doors up to<ul style="list-style-type: none">- width 2800mm- Leaf weight 100kgs
Flexibility in Installation	One unit suits both push side or pull side
Opening Angles	Maximum opening angle 120°

Standards and Compliance



The Lockwood FD481 Concealed Door Control System has been successfully fire tested up to 2 hours on fire door assemblies in accordance with Australian Standard AS1905.1:2005 - Part 1: Fire Resistant Doorsets.

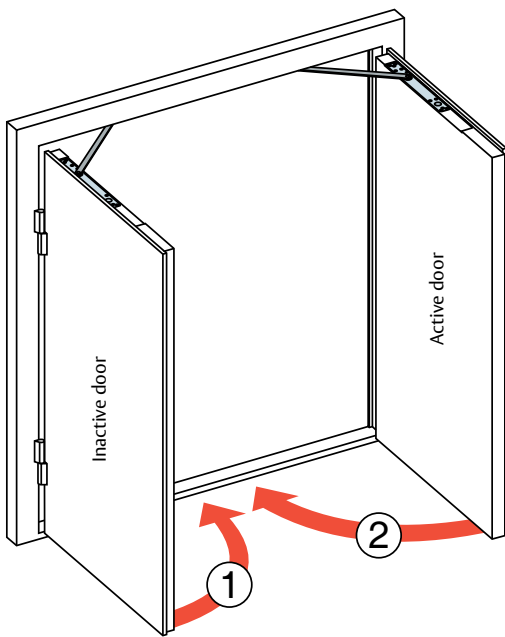
FD481 Mechanical Coordinator Double Doors

FD481 Mechanical Coordinator Double Doors

Part Numbers	Finishes	Power Size	Min Door Thickness
FD481	Silver	Size 1-4	40mm
FD491	Silver	Size 1-5	48mm



* Product not Fire Rated.



FD484 Double Doors with Coordinator Electromechanical Hold-Open Device



Description

The FD484 is designed for applications such as hotels and hospital corridors, where both door leaves are usually kept open. The FD484 is designed for double doors with hinge distance 1100-2100 mm.

In normal day use both doors are open. The hold open angle for inactive door can be adjusted 70°-130°. The hold open device keeps the inactive door open whereas the coordinator keeps the active door open. The maximum hold angle for the active door is 150°. When the power is switched off, i.e. when the smoke detectors react to smoke, the inactive door closes first and when it is almost closed, the active door starts to close. The Hold open device includes adjustable hold open force. Current consumption 60mA (24 VDC).

Product Details

Design	Compact modern design to suit double door installations.
Door Sizes	<ul style="list-style-type: none"> • Double door applications minimum 1100mm, maximum 2100mm • Minimum door thickness 40mm
Electrical Specifications	24VDV ± 15%. Low consumption: max current 60mA per hold-open device
Flexibility in Installation	One unit suits both push side or pull side
Hold-Open Device	<ul style="list-style-type: none"> • Easy to install with adjustable angles (90° to 120°) • Hold-open strength can be adjusted during the installation
Opening Angles	Maximum opening angle 120°
Power Size	Adjustable EN 1 - 4

Standards and Compliance



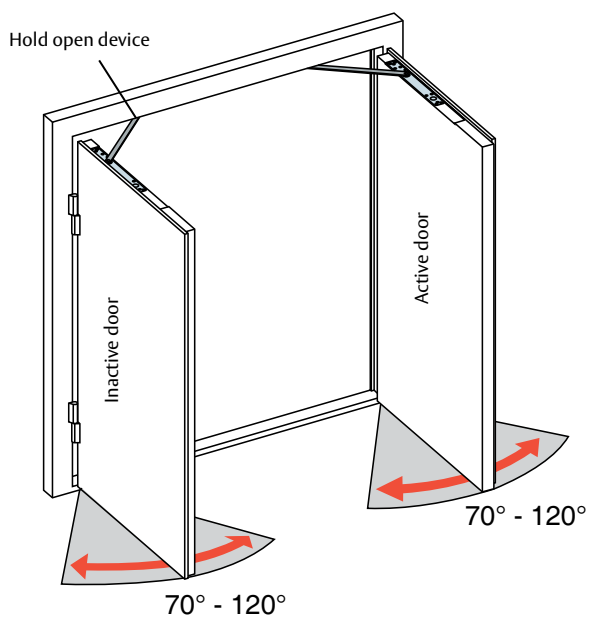
The Lockwood FD484 Concealed Door Control System has been successfully fire tested up to 2 hours on fire door assemblies in accordance with Australian Standard AS1905.1:2005 - Part 1: Fire Resistant Doorsets.

FD484 Double Doors with Coordinator Electromechanical Hold-Open Device

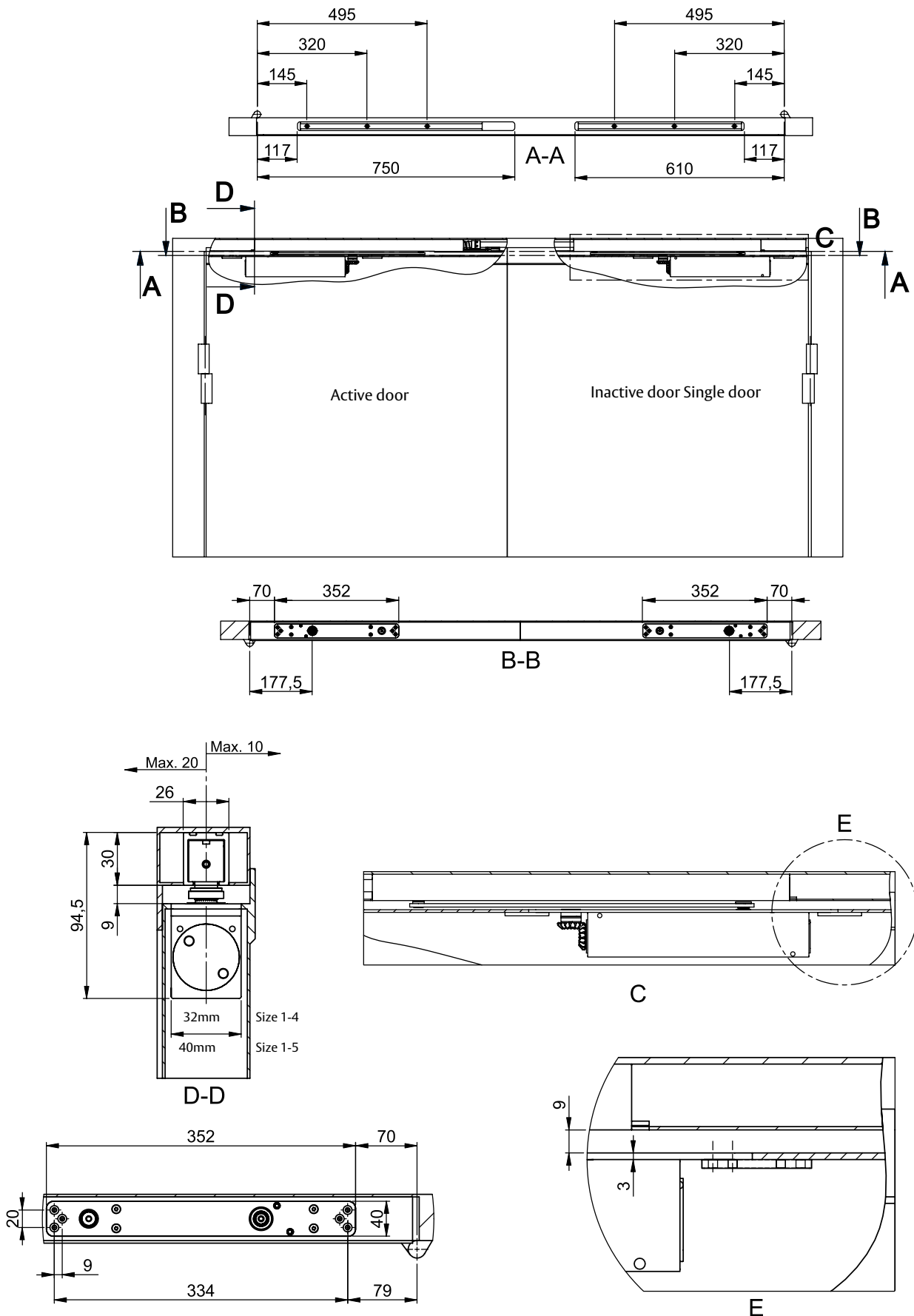
FD484 Double Doors with Coordinator Electromechanical Hold-Open Device

Part Numbers **Finishes**

FD484 Silver



FD484 Double Doors with Coordinator Electromechanical Hold-Open Device





ASSA ABLOY

Lockwood is the leading brand in the Australian locking industry. With an established reputation for high quality products, this iconic brand provides a wide range of locking solutions to residential housing, commercial building and industrial application markets. Lockwood is supported by an extensive distribution and after-sales support network. Our customers include retailers, architects, trade and industrial personnel, locksmiths and security dealers.

ASSA ABLOY is the global leader in door opening solutions, dedicated to satisfying end-user needs for security, safety and convenience.

ASSA ABLOY is represented in all major regions, in both mature and emerging markets, with leading positions in Australia, Europe and North America.

25YEAR

**MECHANICAL
WARRANTY**

The Lockwood 25 Year Mechanical Warranty

Our belief that we manufacture the finest premium products available in today's market place is backed by the Lockwood 25 Year Mechanical Warranty, ensuring that Lockwood continues to keep Australians safe by delivering security and peace of mind.

For warranty terms and conditions, please visit www.lockweb.com.au or call **1300WARRANTY**

ASSA ABLOY Australia Pty Ltd
235 Huntingdale Road
Oakleigh, Victoria, 3166
Australia

1300 LOCK UP (1300 562 587)
lockweb.com.au

ASSA ABLOY New Zealand Ltd
6 Armstrong Road
Albany, Auckland, 0632
New Zealand

info.nz@assaabloy.com
Telephone +64 9415 7111
assaabloy.co.nz

